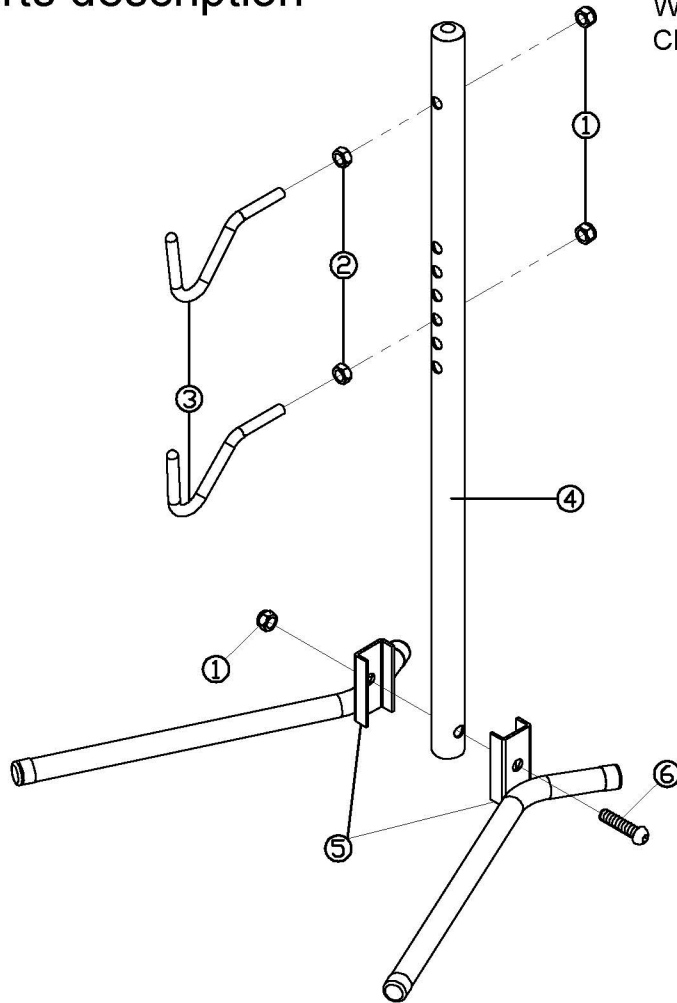
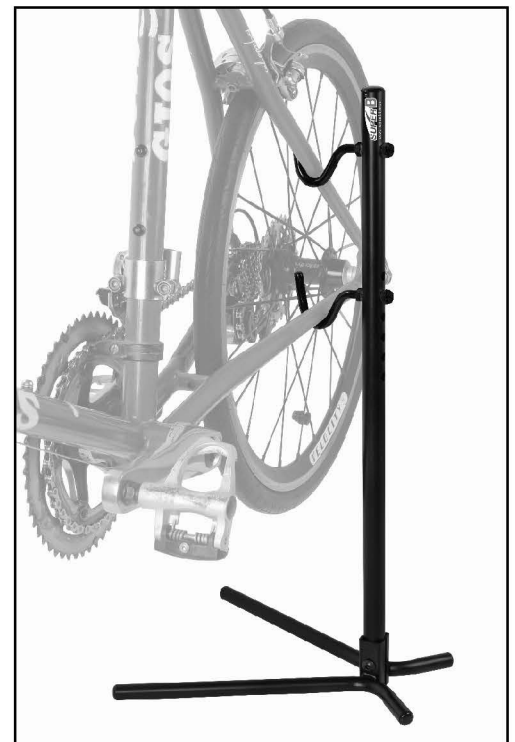


1 Parts description

Visit operation detail at Super B
Website: <http://www.superbiketool.com/>,
Click Product ➔ Storage stands ➔ 2. ➔ TB-1633

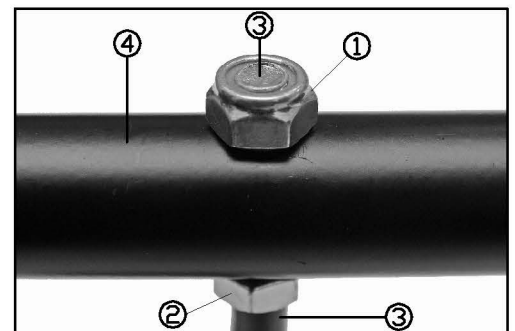


NO.	PART	Q'TY
①	Nylon nut	3
②	Nut	2
③	Holder	2
④	Body	1
⑤	Base	2
⑥	Screw	1



(Picture 1)

⚠ Fits: 20"~29"



(Picture 2)

2 Assembly

1. Please follow the picture to assemble.
2. Determine the position of the holder ③ according to the distance between upper rear fork and lower rear fork. (see picture 1)
3. Please make sure you have fixed all the nuts before using this stand.
4. To prevent the loosening, please make sure the end of holders ③ are slightly protruding than nylon nuts ① after all nuts ① ② have been tightened. (see picture 2)

⚠ The nylon nuts ① can not be tightened by over than 10 Nm, otherwise it may cause body ④ deformed and then the base ⑤ will be uneven.

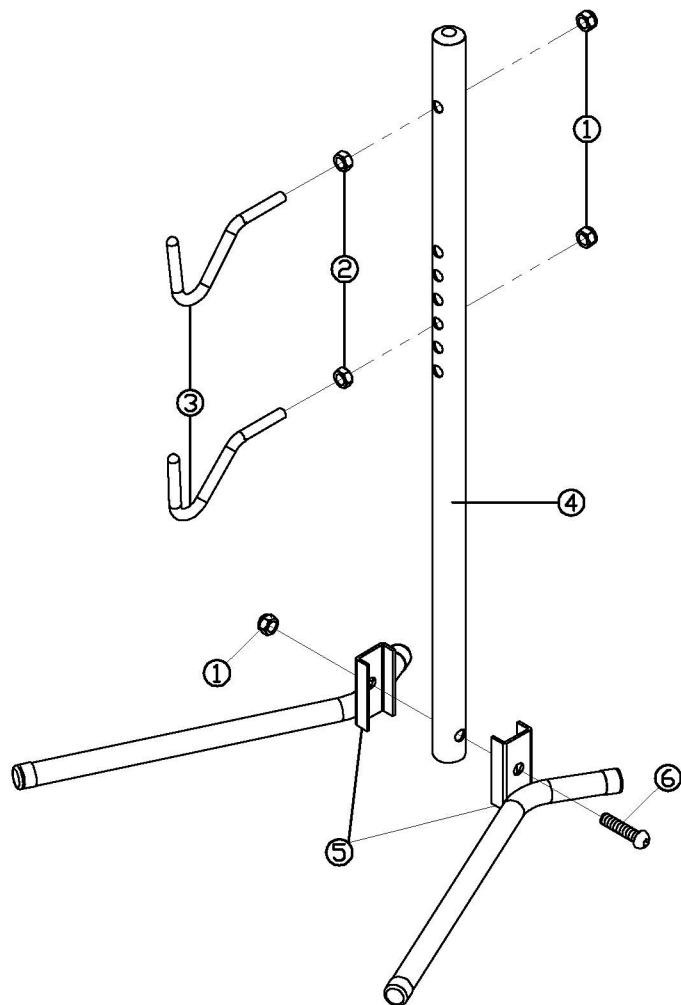
3 Instruction

1. Use holder ③ to hold upper rear fork and lower rear fork. (see picture 1)
2. If the upper rear fork and lower rear fork can not be held by holders ③, please re-assemble the holders.

1 零件明細

詳細操作影片請至 Super B

官網 <http://www.superbiketool.com/> 觀看，點擊
Product → Storage stands → 2. → TB-1633



編號	名稱	數量
①	尼龍螺帽	3
②	螺帽	2
③	掛勾	2
④	主體	1
⑤	腳座	2
⑥	螺絲	1



(圖一)

2 組裝步驟

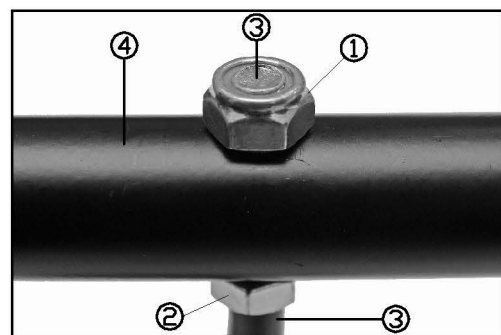
1. 請依照圖示組裝。
2. 請依照後上叉與後下叉距離，選擇掛勾③的固定位置。(如圖一所示)
3. 使用前請確認所有的螺帽都已鎖緊。
4. 螺帽①、②鎖緊後，掛勾③尾端須略為突出尼龍螺帽①，才能發揮防鬆效果。(如圖二所示)



尼龍螺帽①鎖固扭力值最大值為10Nm不宜無限制鎖緊，超過扭力值上限會造成主體④變形，而導致腳座⑤組裝後不平整



適用尺寸: 20"~29"



(圖二)

3 使用說明

1. 利用掛勾③勾住車架後上叉與後下叉。(如圖一所示)
2. 若掛勾③無法同時固定後上叉與後下叉，請重新安裝掛勾。