

Visit operation detail at Super B

Website: <http://www.superbiketool.com/>,

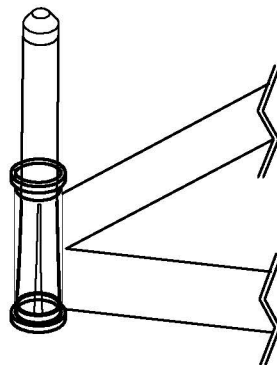
Click Product ➔ Frame & Fork ➔ 1. ➔ TB-1936/TB-1937/TB-1941

1 Instruction

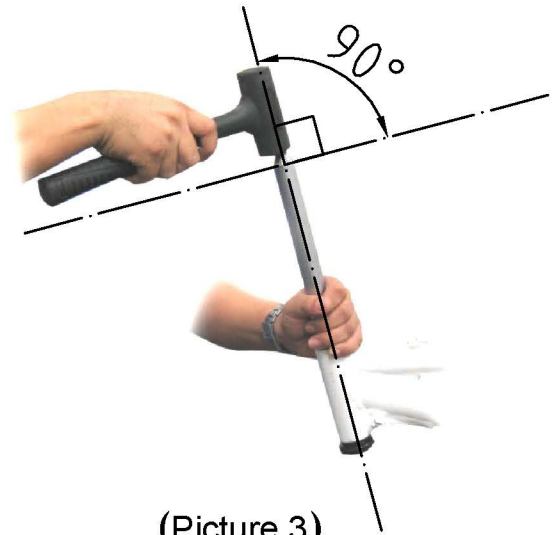
- 1-1. Pull the head cup remover through the frame from the bottom until flared ends snap in behind cup. (see picture 1)
- 1-2. Make the end of head cup remover withstand the edge inside of head cup. (see picture 2)
- 1-3. Use a PU-hammer(TB-1100) to hit the top of the remover to remove the cup. Then pull out head cup remover from the frame. (see picture 3)
- 1-4. Reverse the frame and repeat the instruction when you want to remove the upper cup.



(Picture 1)



(Picture 2)



(Picture 3)

2 Available for

TB-1936 : Suitable for the 1" 、 1-1/8" 、 1-1/4" press fit external cup
(head tube inner diameter 29mm ~ 37mm)

TB-1937 : Suitable for the 1" 、 1-1/8" press fit internal cup and 1-1/2" press
fit external cup (head tube inner diameter 40mm ~ 49mm)

TB-1941 : Suitable for the 1-1/4" 、 1-1/2" press fit internal cup
(head tube inner diameter 52mm ~ 56mm)



When using TB-1941, you can adjust the width of it.
The width of flared ends which is slightly bigger than
head tube's internal diameter is the ideal size.

詳細操作影片請至 Super B

官網<http://www.superbiketool.com/> 觀看，點擊

Product ➡ Frame & Fork ➡ 1. ➡ TB-1936/TB-1937/TB-1941

1 使用說明

1-1. 將頭碗組珠碗拆卸器由下往上穿入頭管中。(如圖一所示)

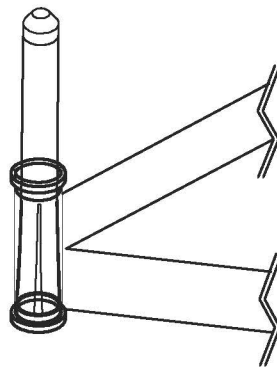
1-2. 直到頭碗組珠碗拆卸器尾部(開叉端)完全進入頭管中，並抵住前叉管下方的頭碗組珠碗的碗槽基座內側。(如圖二所示)

1-3. 使用膠錘(TB-1100)敲擊頭碗組珠碗拆卸器前端，直到頭碗組珠碗離開頭管。(如圖三所示)

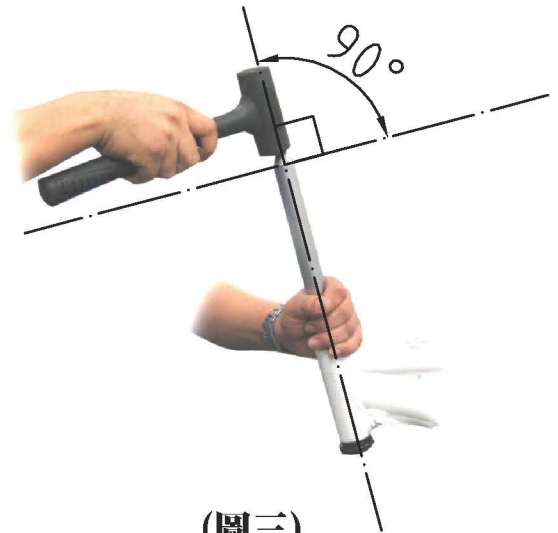
1-4. 拆卸另一端頭碗組珠碗時，請反轉車架與重覆以上拆卸步驟即可。



(圖一)



(圖二)



(圖三)

2 適用尺寸

TB-1936：適用1英吋、1-1/8英吋、1-1/4英吋外露式頭碗組珠碗（頭管內徑29mm~37mm）

TB-1937：適用1英吋、1-1/8英吋半隱藏式與、1-1/2英吋外露式頭碗組珠碗（頭管內徑40mm~49mm）

TB-1941：適用1-1/4英吋、1-1/2半隱藏式頭碗組珠碗（頭管內徑52mm~56mm）



當使用TB-1941時，可自行調整開口寬度，略大於頭管內徑是最適當的尺寸