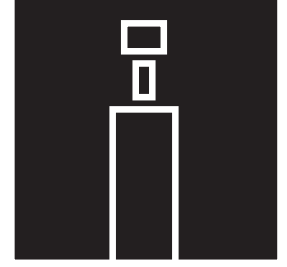




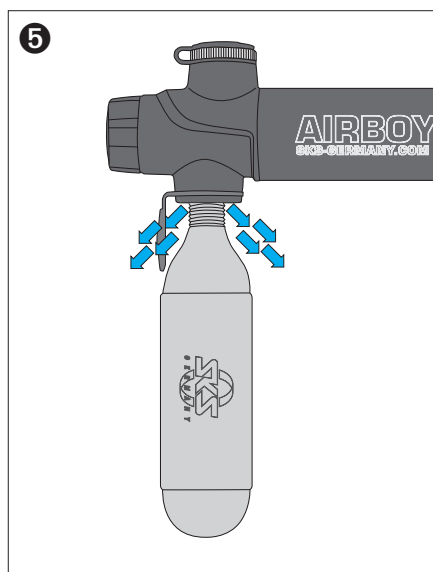
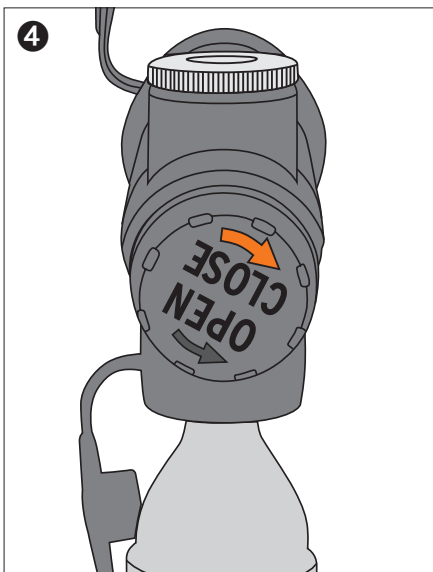
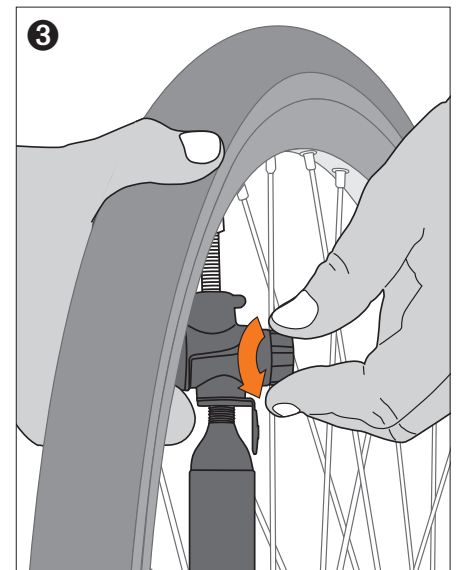
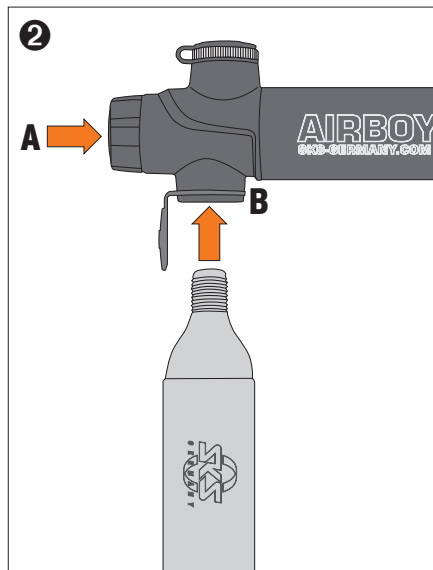
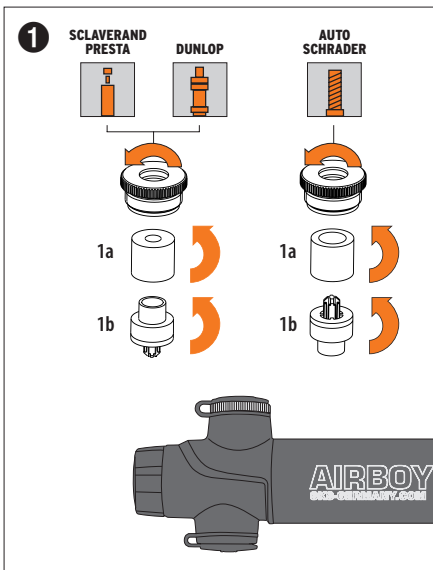
Dunlop



Auto
Schrader



Sclaverand
Presta



EN. AIRBOY CO₂

- ❶ Before using **AIRBOY CO₂**, make sure that the reversible valve connection has been set according to the valve you're using. This may require you to screw part 1a into part 1b.
- ❷ Before piercing the **CO₂** cartridge, make sure that the pressure regulator (**A**) is completely closed. To do so, turn it clockwise until it stops. Now, turn the **CO₂** cartridge in the intended receiver (**B**) all the way in. The **CO₂** cartridge will now be opened by a piercing pin inside the pump. This may briefly increase the resistance when screwing it in.
- ❸ Insert valve into the pump head (please observe point 1 when doing so).

IMPORTANT: Make sure that the valve is open when using the Presta valve. To do so, it may be necessary to unscrew the small nut at the tip of the valve. It must be closed back up again after the tire has been filled.

Open the flow of gas by turning the pressure regulator (**A**) counterclockwise. Hold the pump firmly in your hands while filling the tire and press the pump against the valve with suitable pressure. This prevents the pump from slipping off the valve.

CAUTION: It is possible that gas will stream past the valve while the tire is being filled. This can cause the pump and valve to become very cold. For that reason, it is recommended to wear gloves!

- ❹ Close the pressure regulator (**A**) before removing the pump from the valve. After inflation, make sure that the cartridge is completely empty before removing it from the pump. It may be necessary to allow the remaining contents of the cartridge to escape into the atmosphere by reopening the pressure regulator (**A**). Only do so when the pump opening is pointed away from people and animals.
- ❺ For safety reasons, the **AIRBOY CO₂** is fitted with an emergency vent in case a **CO₂** cartridge which has not been completely emptied is removed from the pump. If this happens, gas will suddenly escape from the tip of the cartridge. This is normal and has no effect on the continued use of the pump.

ADDENDUM: Please bring the empty **CO₂** cartridges with you after using them and dispose of them properly. That way, you help protect the environment.



**Scloverand
Presta**



**Auto
Schrader**



Dunlop

ANIMATION YOUTUBE

<https://www.youtube.com/watch?v=o-YAHH1Mpls>



| | |
|--|--|
| | ALLROAD Reifengröße max. Druck Tyre size max. pressure 700 c x 32 5 bar / 72 psi |
| | ROAD Reifengröße max. Druck Tyre size max. pressure 700 c x 23 7,5 bar / 108 psi |
| | MOUNTAIN Reifengröße max. Druck Tyre size max. pressure 26 x 1,95 2,7 bar / 40 psi |

EN. SECURITY ADVICE AND INSTRUCTION MANUAL

Carbondioxide one-way capsule. Gold colour. Fully recyclable. Contents 22 cm³ pure CO₂ under pressure. Net weight: 16g CO₂. Gross weight 58g. Keep cool and dry. Keep out of sun and heat. Keep out of reach of children. Never trash full capsules. Tank is under high pressure.