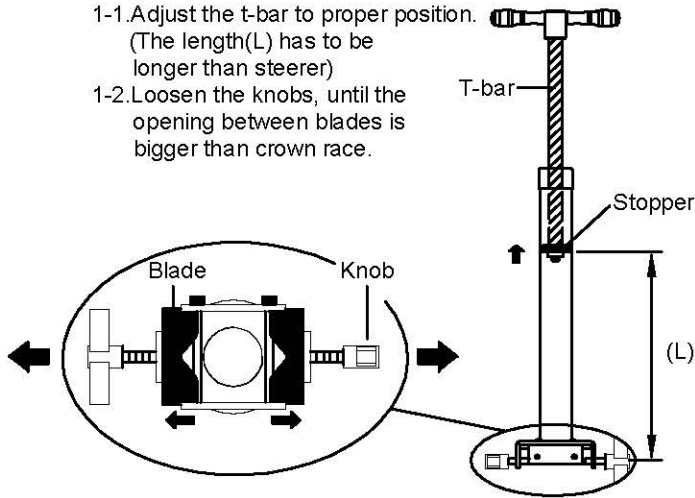


1 Instruction

1. Adjust the t-bar and blades

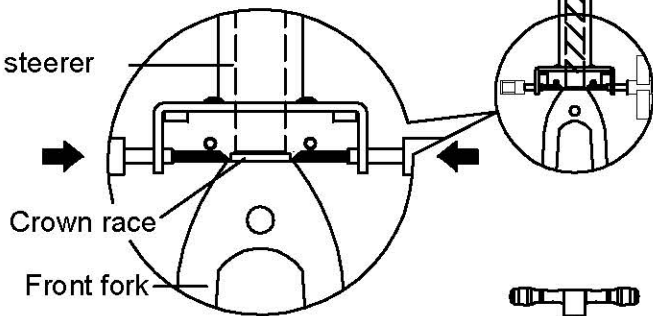
- 1-1. Adjust the t-bar to proper position.
(The length(L) has to be longer than steerer)
- 1-2. Loosen the knobs, until the opening between blades is bigger than crown race.



2. Fix crown race

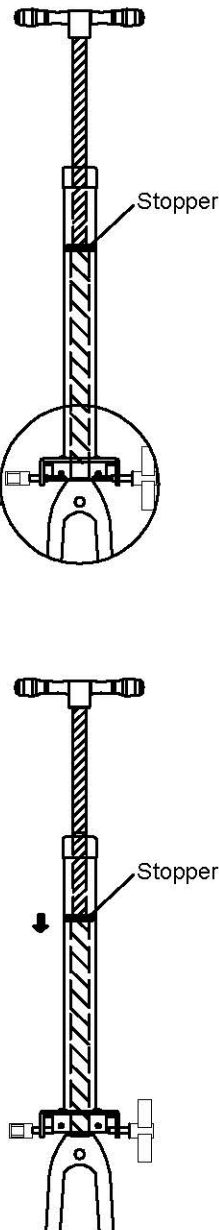
- 2-1. Put TB-1926 over steerer, and hold it with hand.
- 2-2. Tighten the right and left knobs evenly, and make the blades inserted under the crown race to fix it.

! Improper operation will damage blades and crown race due to unevenly force.



3. Remove the crown race

- Turn the t-bar to press the stopper to push the steerer by clockwise, and then force to crown race being taken off, then take TB-1926 off from steerer.



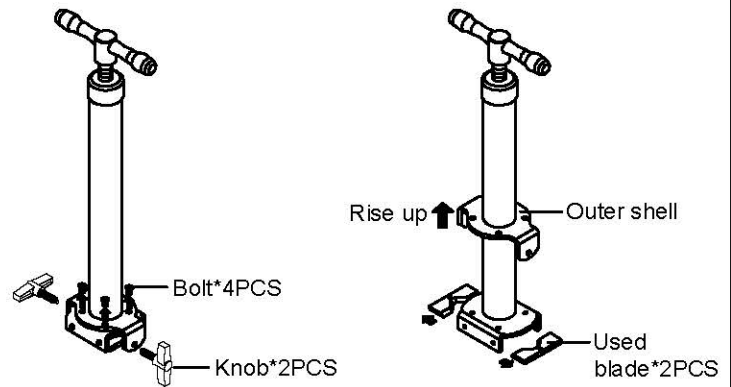
Visit operation detail at Super B

Website: <http://www.superbiketool.com/>,

Click Product → Frame & Fork → 2. → TB-1926

2 Instruction of blades
TB-1926A replacement
(The blades TB-1926A is optional)

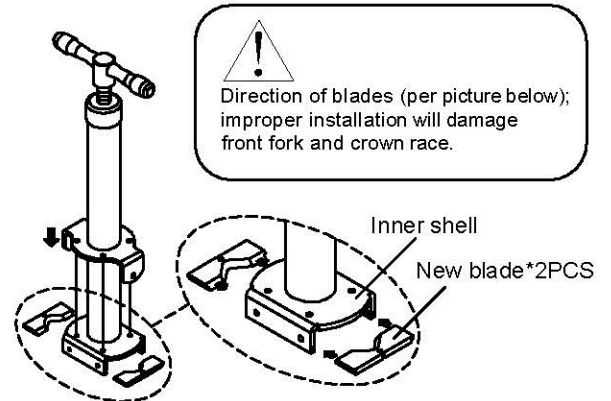
- 1. Loosen 4 bolts and two knobs. (see picture 1)
- 2. Rise up outer shell, and take the used blades off. (see picture 2)



(Picture 1)

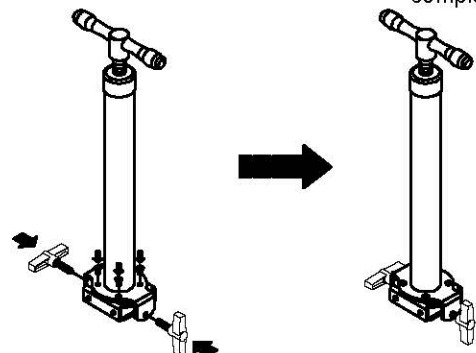
(Picture 2)

- 3. Insert new blades into inner shell, and then mount the outer shell back to original place.



- 4. Tighten bolts first and then knobs.

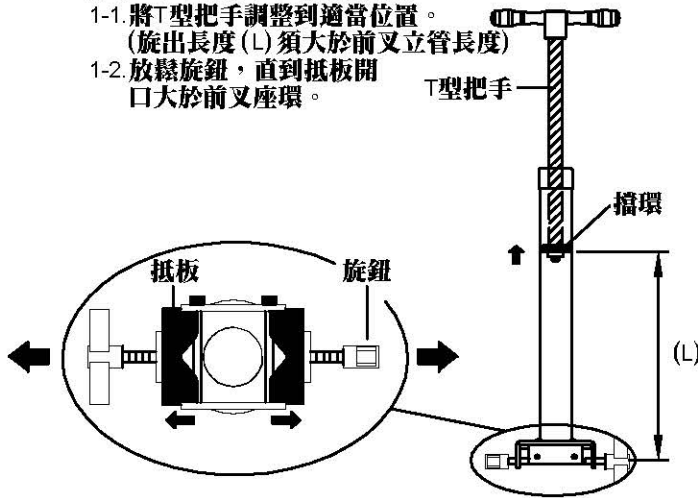
- 5. Replacement is completed.



1 使用說明

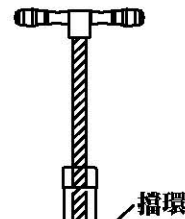
1. 調整T型把手及抵板

- 1-1. 將T型把手調整到適當位置。
(旋出長度(L)須大於前叉立管長度)
- 1-2. 放鬆旋鈕，直到抵板開口大於前叉座環。

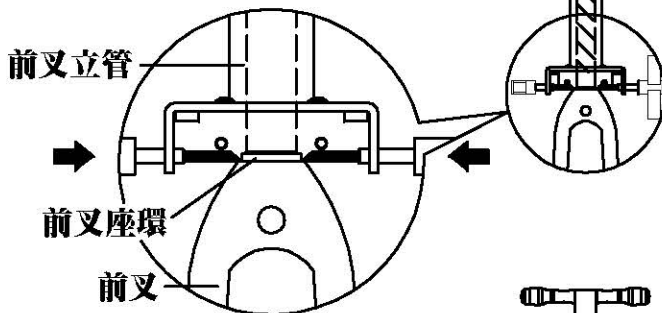


2. 固定前叉座環

- 2-1. 將TB-1926鋼管套入前叉立管，並以手穩固扶住。
- 2-2. 將兩側旋鈕平均鎖入，使抵板嵌入前叉座環下緣處。

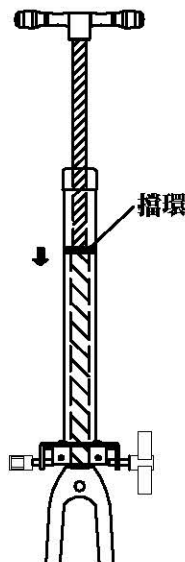


如不當操作，抵板及前叉座環容易因受力不均而損壞。



3. 拆卸前叉座環

旋轉T型把手直到擋環壓迫到前叉立管後，再施力旋緊，前叉座環即可脫離，再將TB-1926取出。



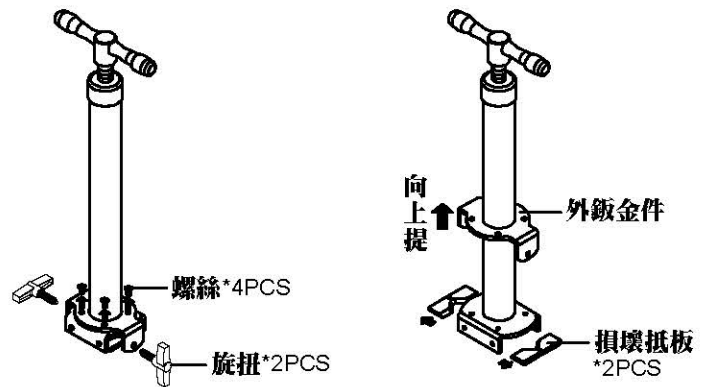
詳細操作影片請至 Super B 官網

<http://www.superbiketool.com/> 觀看，點擊 Product → Frame & Fork → 2. → TB-1926

2 TB-1926A 抵板更換說明

(TB-1926A 為客戶選購品)

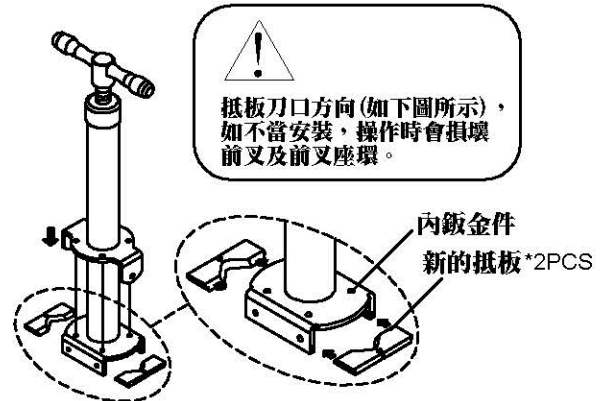
1. 將四支螺絲及旋鈕鬆開。(如圖一所示)
2. 外鍍金件向上提，將損壞抵板取出。(如圖二所示)



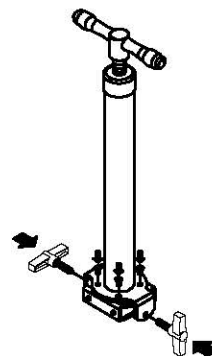
(圖一)

(圖二)

3. 先將新的抵板置入內鍍金件，再將外鍍金件回歸至原位。



4. 先鎖緊螺絲，再鎖旋鈕。



5. 完成抵板更換。

