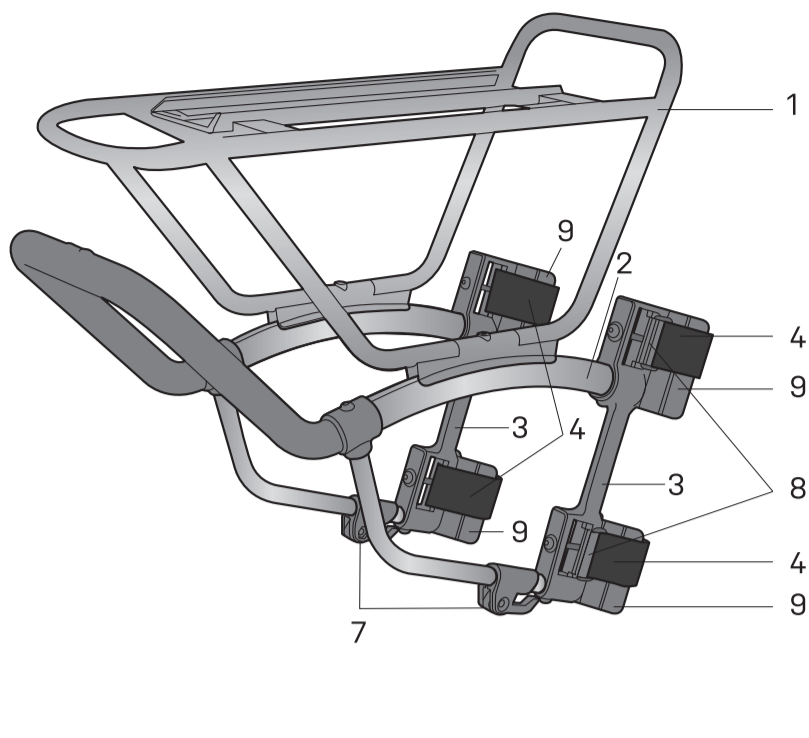
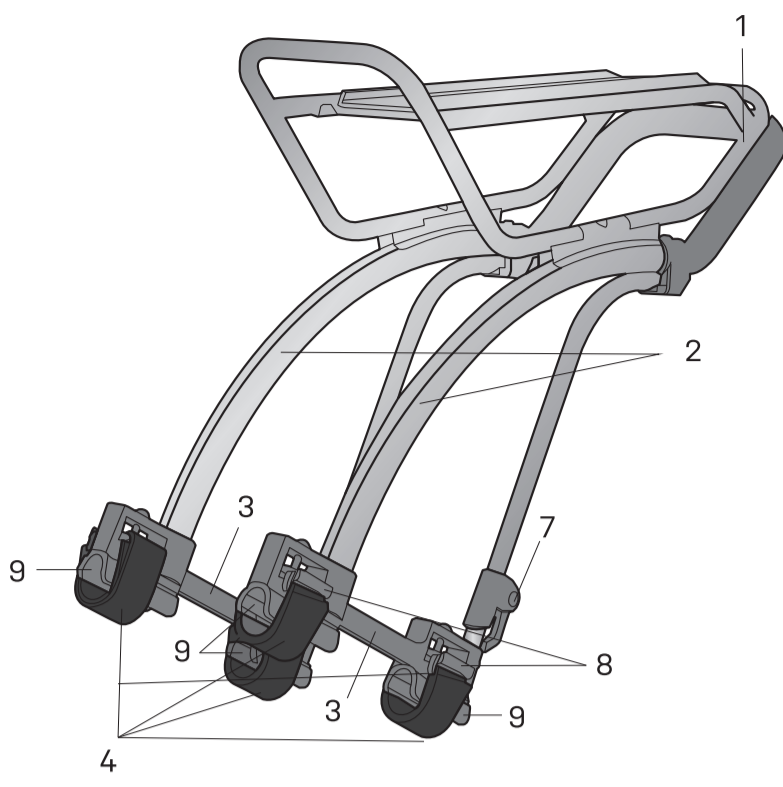


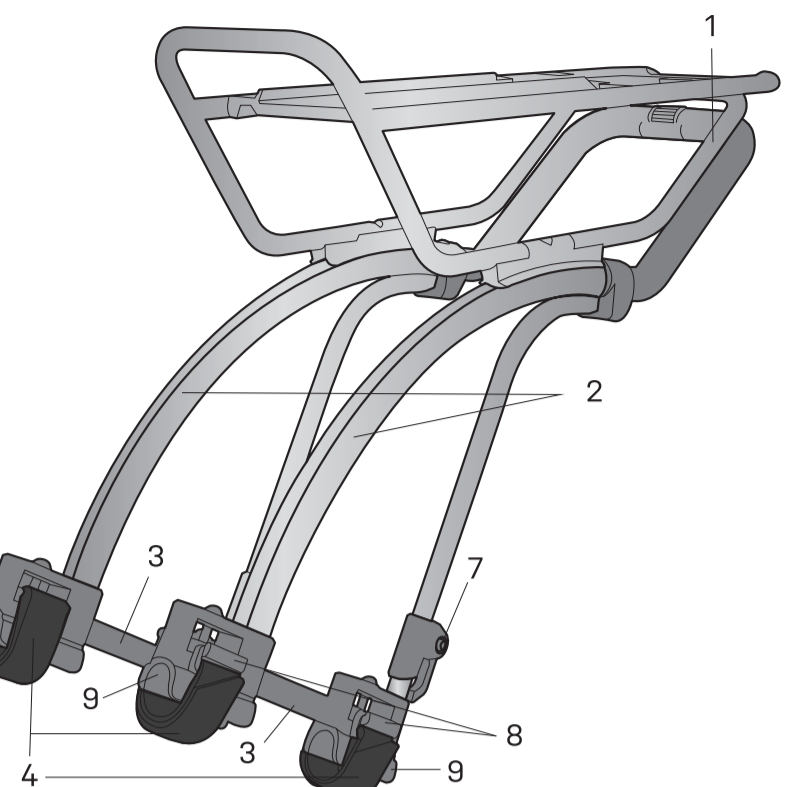
TETRARACK M1 (FRONT FORK)



TETRARACK M2 (SEATSTAYS)



TETRARACK M2L (SEATSTAYS)

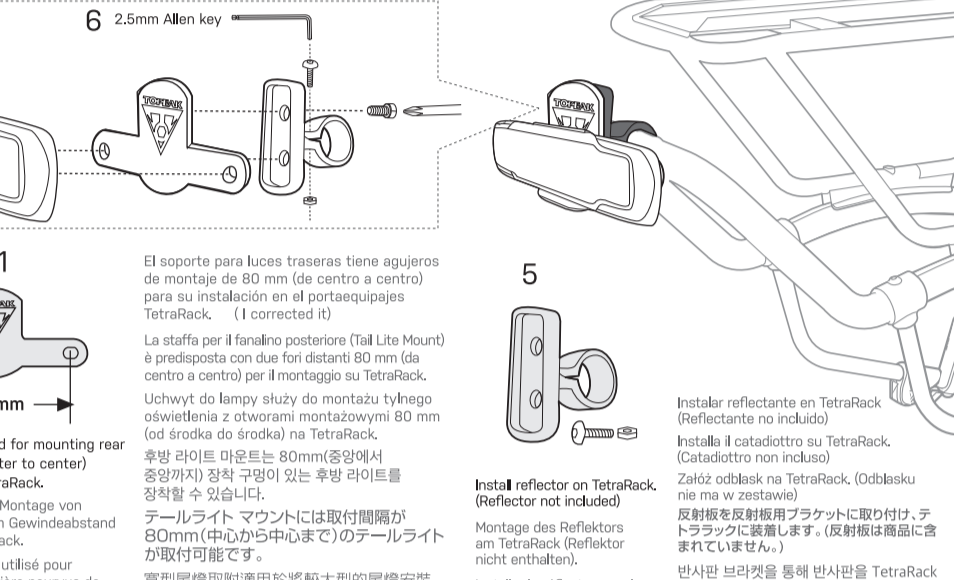


- 1 Frame, 2 Rack Slide rail, 3 Mounting base, 4 Velcro straps, 5 Reflective bracket, 5-1 Tail Light Mount, 6 Allen key 2.5mm x 1, 7 Side pannier hook, 8 Strap tensioner, 9 Rubber pad. (Includes German, French, Spanish, Italian, and Chinese translations.)

- 1 Telaio, 2 Binario di scorrimento, 3 Base di montaggio, 4 Cinturini con velcro, 5 Staffa riflettente, 5-1 Staffa per fanalino posteriore, 6 Chiave a brugola 2,5mm x 1, 7 Gancio per borsa laterale, 8 Tendinghia, 9 Cuscinetto in gomma. (Includes German, French, Spanish, Italian, and Chinese translations.)

- 1 Rama, 2 Boczne pręty, 3 Baza mocująca, 4 Paski rzepowe, 5 Uchwyt odblasku, 5-1 Uchwyt do lampy, 6 Imbus 2,5mm x 1, 7 Hak do sakwy, 8 Napinacz paska, 9 Gumowa podkładka. (Includes German, French, Spanish, Italian, and Chinese translations.)

- 1 フレーム, 2 ラックスライドレール, 3 装着用ベース, 4 バックロストラップ, 5 反射板ブラケット, 5-1 テールライトマウント, 6 六角レンチ 2.5mm x 1, 7 サイドバニャフック, 8 ストラップテンショナー, 9 ゴムパッド. (Includes German, French, Spanish, Italian, and Chinese translations.)



WARNING / WARNUNG / AVERTISSEMENT / ADVERTENCIA / ATTENZIONE / UWAGA / 注意 / 경고 / 注意

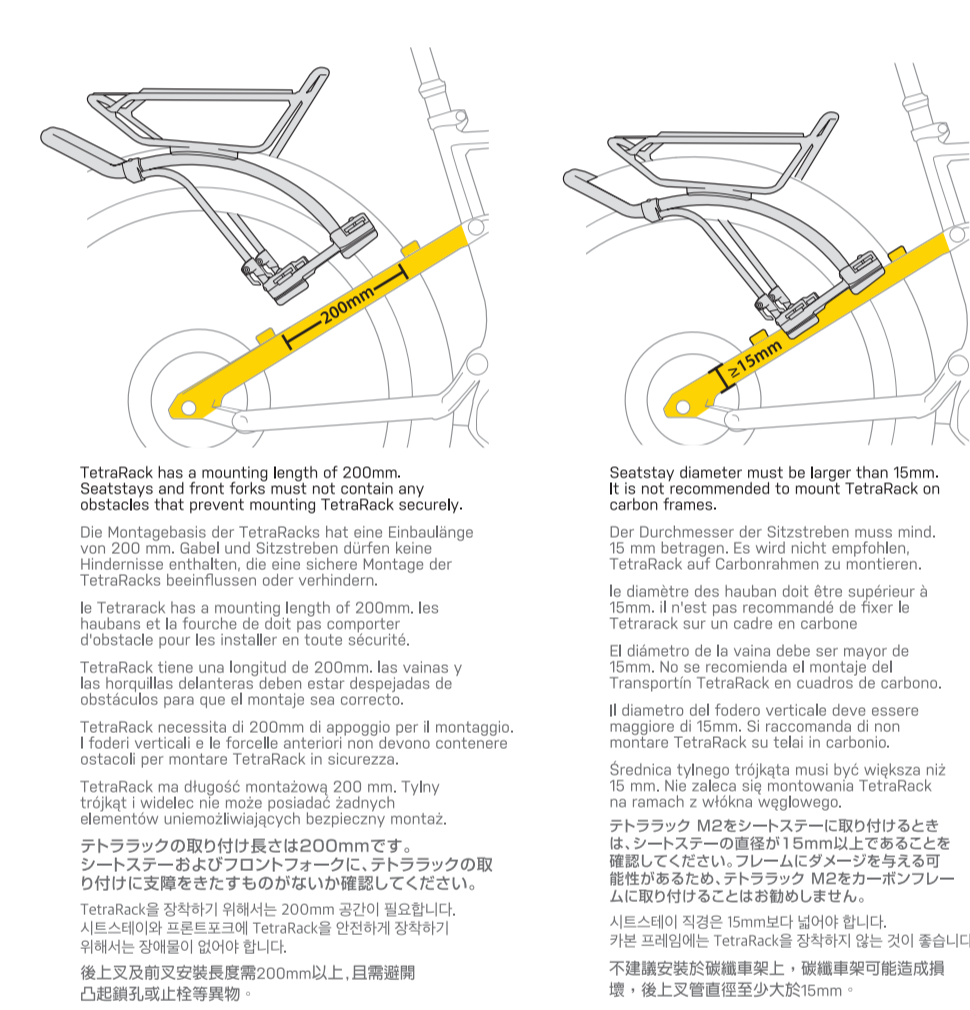
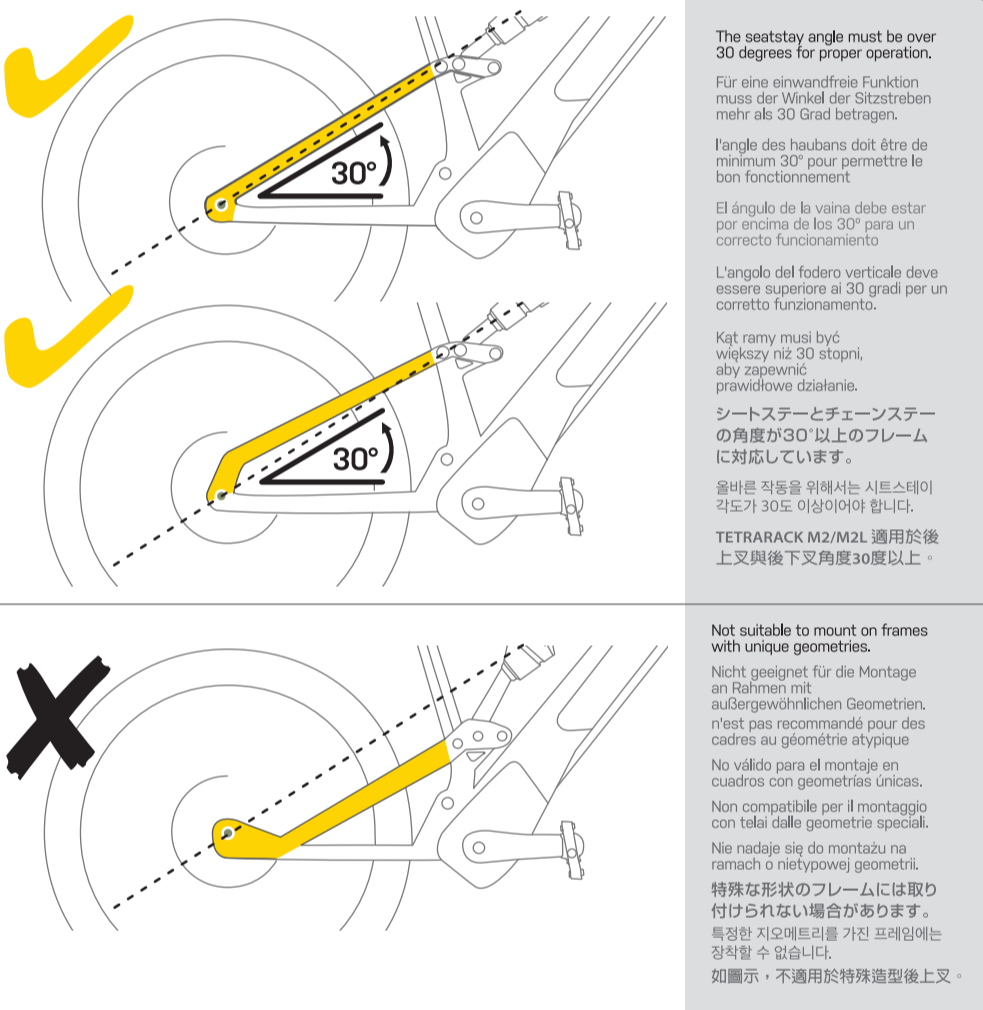


Table with 2 columns: M1 COMPATIBILITY and M2 / M2L COMPATIBILITY. Rows include FRONT FORK WIDTH CAPACITY (115-145 mm), SEATSTAYS WIDTH CAPACITY (95-125 mm), and MAX WEIGHT CAPACITY (M1: 10kg/22lb, M2/M2L: 12kg/26lb).

INSTALLATION / MONTAGE / INSTALACIÓN / MONTAŻ / 取付方法 / 장착 / 安裝

